

# 10lt

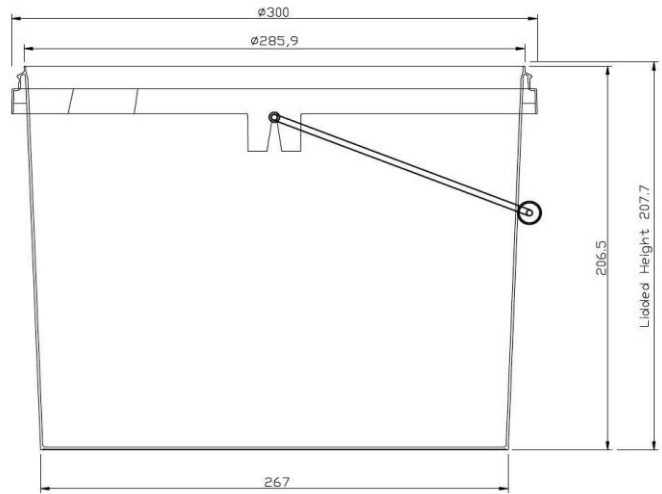
# EmPro

# emballator

Packaging that makes life easier

### Dimensions (mm)

|                         |               |
|-------------------------|---------------|
| Top Diameter            | 285.9 +/- 1mm |
| Diameter at Lug         | 300 +/- 1mm   |
| Base Diameter           | 267 +/- 1mm   |
| Overall Height (No Lid) | 206.5 +/- 1mm |
| Overall Height (Lidded) | 207.7 +/- 1mm |



### Weights (g)

|                             |                |
|-----------------------------|----------------|
| Overall Weight              | 339.5g +/- 10g |
| Body                        | 302g +/- 8g    |
| Ring                        | N/A            |
| Handle                      | 37.5g +/- 1g   |
| Lid (Reduced Flake Feature) | 85g +/- 5g     |

### Basic Info

|                     |  |
|---------------------|--|
| Gross Lidded Volume | 11.63 Litres   |
| Decoration          | Printed (Dry Offset up to 6 colour) or IML                 |
| Body Colour         | White  |
| Lid colour          | White  |
| Handle/ Colour      | Galvanised Mild Steel Handle with Black Polypropylene Grip |
| Composition         | Polypropylene Copolymer                                    |

### Packaging Specification

| Container            |               | Lid                 |                     |
|----------------------|---------------|---------------------|---------------------|
| Pallet (Returnable)  | 1200 x 1000mm | Pallet (Returnable) | 1200 x 1000mm       |
| Pallet Height        | 1170mm        | Pallet Height       | 1110mm              |
| Pieces per pallet    | 240           | Boxes               | N/A                 |
| Stacks               | 12            | Pieces per pallet   | 2160                |
| Containers per stack | 20            | Layers/Items        | 12 Stacks x 180Lids |
| Wrapping             | Shrink Hood   | Wrapping            | Shrink Hood         |

### Filling

|                  |   |
|------------------|---|
| Pallet Quantity  | 48 (12 per layer X 4 layers)  |
| Filled Max Stack | 2 Pallets high with hardboard separator                                 |
| Fill Temp        | Max 70 degrees C (Avoid prolonged exposure over 40 & below 0 degrees C) |

### Material



*Notes: Details given here are correct at date of issue (25.01.2013 Version 2). For further info please contact our technical staff on the details below. It is the responsibility of our customer to ensure that products and packs are compatible.*

### Contact

Emballator Packaging, Unit 1 City Link Industrial Estate, Phoenix Way, Bradford, BD4 8JP  
 Tel: 01274 668855 Fax: 01274 668833