

2.5lt

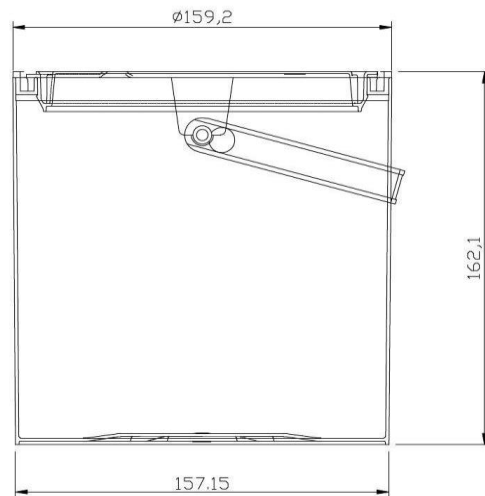
EmClass 25

emballator

Packaging that makes life easier

Dimensions (mm)

| | |
|-----------------|------------------|
| Top Diameter | 159.2 +/-0.7mm |
| Diameter at Lug | 166.15 +/-0.7mm |
| Base Diameter | 157.15 +/- 0.5mm |
| Overall Height | 162.1 +/-1.0mm |



Weights (g)

| | |
|--------------------|----------------|
| Overall Weight | 145g +/- 10g |
| Body | 123.3g +/- 4g |
| Ring | 16.3g +/- 1.6g |
| Handle | 6g +/- 0.6g |
| Lid (3 Point Open) | 29g +/- 2g |

Basic Info

| | |
|---------------------|---|
| Gross Lidded Volume | 2.87 litres |
| Decoration | Printed (Dry Offset up to 6 colour) or Labelled |
| Body Colour | White |
| Lid colour | Black or White |
| Handle Colour | Black or White |
| Composition | Polypropelyne Copolymer |

Packaging Specification

| Container | | Lid | |
|-------------------|---------------|-------------------|-----------------------------|
| Pallet | 1200 x 1000mm | Pallet | 1200 x 1000mm |
| Pallet Height | 1305mm | Pallet Height | 910mm |
| Pieces per pallet | 343 | Boxes | 2 x Half pallet boxes |
| Layers | 7 | Pieces per pallet | 2838 (1419 x 2 boxes) |
| Pieces per layer | 49 | Layers | 33 sleeved stacks x 43 lids |
| Wrapping | Shrink Hood | Wrapping | Stretch Wrap |

Filling and Stacking

| | |
|------------------|---|
| Pallet Quantity | 294 (49 per layer x 6 layers) |
| Filled Max Stack | 2 Pallets high with hardboard seperator |
| Fill Temp | Max 70 degrees C (Avoid prolonged exposure over 40 & bleow 0 degrees C) |

Material



Notes: Details given here are correct at date of issue (25.01.2013 Version 2). For further info please contact our technical staff on the details below. It is the responsibility of our customer to ensure that products and packs are compatible.

Contact

Emballator Packaging, Unit 1 City Link Industrial Estate, Phoenix Way, Bradford, BD4 8JP
 Tel: 01274 668855 Fax: 01274 668833